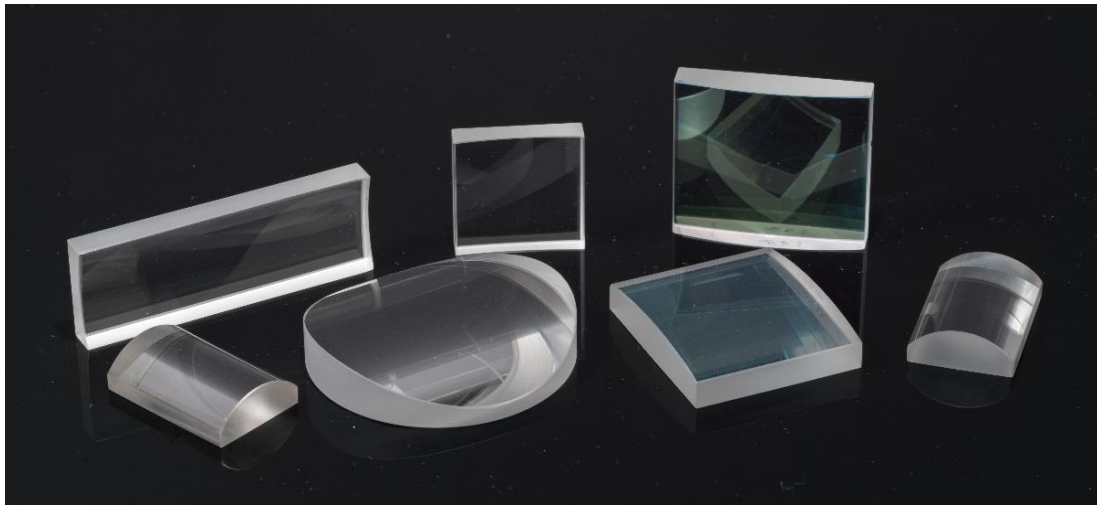


# CYLINDRICAL LENSES

SELECTION GUIDE	54
PLANO-CONVEX RECTANGULAR LENSES	55
PLANO-CONVEX SQUARE LENSES	59
PLANO-CONVEX ROUND LENSES	63
PLANO-CONCAVE RECTANGULAR LENSES	65
PLANO-CONCAVE SQUARE LENSES	68
PLANO-CONCAVE ROUND LENSES	71



실린드릭 렌즈(cylindrical lens)는 단일 치수의 빛을 압축, 초점 또는 확장하는 데 사용됩니다. 대표적인 분야로는 레이저 스캐너, 홀로그래피, 광학 정보 프로세싱/컴퓨팅, 분광학, 색소 레이저 및 스캐닝 공초점 현미경이 있습니다. 한국전광 실린드릭 렌즈(cylindrical lens)는 정밀한 기술로 제조되며, 레이저 고성능에서도 다양한 산업 분야, OEM 및 연구 분야에서 보장된 성능을 제공하도록 품질 관리됩니다.

## SELECTION GUIDE

Product Type	Surface Quality	Wavelength Range	Operating Conditions
<b>Plano-Convex Cylindrical Lenses</b>			
STANDARD N-BK7 RECTANGULAR	60-40	380-2100 nm	Medium Energy Lasers
PRECISION N-BK7 RECTANGULAR	20-10	380-2100 nm	High Energy Lasers, 10 J/cm <sup>2</sup> , 20 nsec, 20 Hz at 1064 nm
PRECISION FUSED SILICA RECTANGULAR	20-10	193-2100 nm	High Energy Lasers, 10 J/cm <sup>2</sup> , 20 nsec, 20 Hz at 1064 nm
PRECISION N-BK7 SQUARE	20-10	380-2100 nm	High Energy Lasers, 10 J/cm <sup>2</sup> , 20 nsec, 20 Hz at 1064 nm
PRECISION FUSED SILICA SQUARE	20-10	193-2100 nm	High Energy Lasers, 10 J/cm <sup>2</sup> , 20 nsec, 20 Hz at 1064 nm
PRECISION N-BK7 ROUND	20-10	380-2100 nm	High Energy Lasers, 10 J/cm <sup>2</sup> , 20 nsec, 20 Hz at 1064 nm
PRECISION FUSED SILICA ROUND	20-10	193-2100 nm	High Energy Lasers, 10 J/cm <sup>2</sup> , 20 nsec, 20 Hz at 1064 nm
<b>Plano-Concave Cylindrical Lenses</b>			
STANDARD N-BK7 RECTANGULAR	60-40	380-2100 nm	Medium Energy Lasers
PRECISION N-BK7 RECTANGULAR	20-10	380-2100 nm	High Energy Lasers, 10 J/cm <sup>2</sup> , 20 nsec, 20 Hz at 1064 nm
PRECISION FUSED SILICA RECTANGULAR	20-10	193-2100 nm	High Energy Lasers, 10 J/cm <sup>2</sup> , 20 nsec, 20 Hz at 1064 nm
PRECISION N-BK7 SQUARE	20-10	380-2100 nm	High Energy Lasers, 10 J/cm <sup>2</sup> , 20 nsec, 20 Hz at 1064 nm
PRECISION FUSED SILICA SQUARE	20-10	193-2100 nm	High Energy Lasers, 10 J/cm <sup>2</sup> , 20 nsec, 20 Hz at 1064 nm
PRECISION N-BK7 ROUND	20-10	380-2100 nm	High Energy Lasers, 10 J/cm <sup>2</sup> , 20 nsec, 20 Hz at 1064 nm
PRECISION FUSED SILICA ROUND	20-10	193-2100 nm	High Energy Lasers, 10 J/cm <sup>2</sup> , 20 nsec, 20 Hz at 1064 nm

## PRECISION N-BK7 RECTANGULAR CYLINDRICAL PLANO-CONVEX LENSES



## Specifications

## Product Code

RCX-C

## Optical Material

N-BK7

## Surface Figure (p-v at 633 nm before coating)

Cylindrical side:  $\lambda$  (y-axis),  $\lambda/cm$  flatness (x-axis)Plano side:  $\lambda/4$  flatness

## Surface Quality

20-10 scratch and dig

## Dimensional Tolerance

 $+0/-0.25$  mm

## Center Thickness

 $t_c \pm 0.25$  mm

## Chamfer

0.35 mm at 45° typical

## Wedge

 $\leq 3$  arc minutes

## Paraxial Focal Length

 $f \pm 0.5\%$  typical

## Antireflection Coating

Wavelength user specified

Narrowband:  $R \leq 0.25\%$  per surfaceBroadband:  $R_{avg} \leq 0.5\%$  per surface

## Clear Aperture (CA)

 $\geq 85\%$  of central dimension

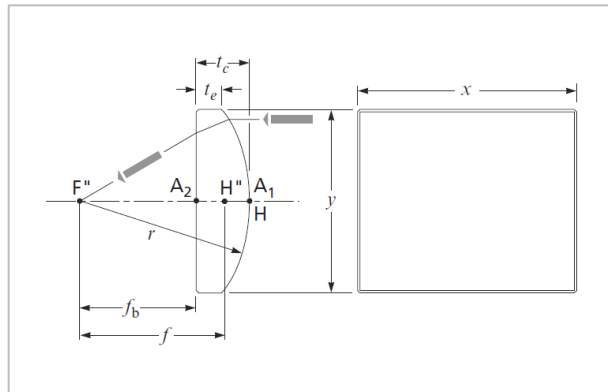
## Damage Threshold

10 J/cm<sup>2</sup>, 20 nsec, 20 Hz @ 1064 nm

이러한 정밀 실린드릭 렌즈는 이전 표준 등급 LCP 실린드릭 렌즈보다 훨씬 엄격한 사양을 충족합니다. 까다로운 분야에서 사용할 수 있도록 높은 표면 품질을 제공하고, 매우 다양한 고에너지 파장과 광대역 무반사 코팅을 제공합니다.

다른 초점 길이 및 치수도 사용할 수 있습니다. 가격 및 배송에 대한 자세한 사항은 당사에 문의하십시오.

- ◆ 애너몰픽 빔 형상 및 레이저 투시
- ◆ 검출기 어레이 조명
- ◆ 저손실, 고에너지 무반사 코팅



Rectangular cylindrical plano-convex lens

● Standard Uncoated Products

f (mm)	x (mm)	y (mm)	r (mm)	t <sub>c</sub> (mm)	t <sub>e</sub> (mm)	f/#	f <sub>b</sub> (mm)	
<b>Precision N-BK7 Rectangular Cylindrical Plano-Convex Lenses</b>								
6.0	12.7	4.8	3.1	4.0	2.8	1.5	3.4	
10.0	12.7	6.4	5.1	4.0	2.9	1.8	7.4	
12.7	12.7	6.4	6.5	3.0	2.2	2.3	10.7	
20.0	12.7	6.4	10.2	3.0	2.5	3.7	18.0	
25.0	25.4	12.7	12.7	5.0	3.3	2.3	21.7	
30.0	25.0	15.0	15.3	5.0	3.0	2.4	26.7	
40.0	40.0	20.0	20.3	6.0	3.4	2.4	36.0	
50.0	30.0	20.0	25.4	6.0	3.9	2.9	46.0	
75.0	30.0	20.0	38.1	5.0	3.7	4.4	71.7	
100.0	30.0	20.0	50.9	5.0	4.0	5.9	96.7	
200.0	40.0	25.4	101.7	5.0	4.2	9.3	196.7	
300.0	40.0	25.4	152.6	5.0	4.5	13.9	296.7	
500.0	40.0	25.4	254.3	5.0	4.7	23.2	496.7	
1000.0	40.0	30.0	508.6	5.0	4.8	39.2	996.7	

**WAVELENGTH OF AR COATING (nm); for uncoated leave blank**

415-700	633-1064	808	1053	1550
532	780	1030	1064	
633	800	1050-1600	1064/532	

## PRECISION FUSED SILICA RECTANGULAR CYLINDRICAL PLANO-CONVEX LENSES



## Specifications

## Product Code

RCX-UV

## Optical Material

UV-grade fused silica

## Surface Figure (p-v at 633 nm before coating)

Cylindrical side:  $\lambda$  (y-axis),  $\lambda/cm$  flatness (x-axis)Plano side:  $\lambda/4$  flatness

## Surface Quality

20-10 scratch and dig

## Dimensional Tolerance

 $+0/-0.25$  mm

## Center Thickness

 $t_c \pm 0.25$  mm

## Chamfer

0.35 mm at  $45^\circ$  typical

## Wedge

 $\leq 3$  arc minutes

## Paraxial Focal Length

 $f \pm 0.5\%$  typical

## Antireflection Coating

Wavelength user specified

Narrowband:  $R \leq 0.25\%$  per surfaceBroadband:  $R_{avg} \leq 0.5\%$  per surface

## Clear Aperture (CA)

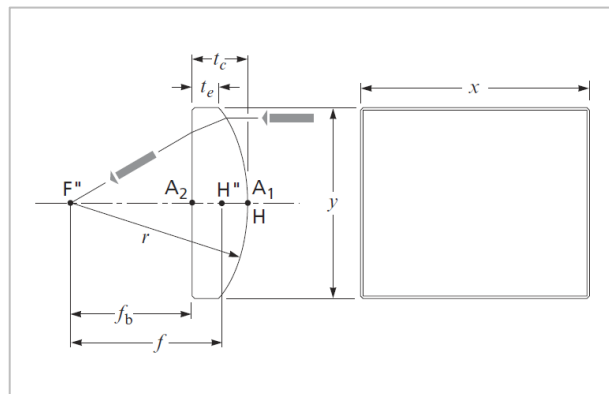
 $\geq 85\%$  of central dimension

## Damage Threshold

10 J/cm<sup>2</sup>, 20 nsec, 20 Hz @ 1064 nm

다른 초점 길이 및 치수도 사용할 수 있습니다. 가격 및 배송에 대한 자세한 사항은 당사에 문의하십시오.

- ◆ UV 레이저 선 초점
- ◆ 애너모픽 빔 형상 및 레이저 투시
- ◆ 검출기 어레이 조명
- ◆ 저손실, 고에너지 무반사 코팅



Rectangular cylindrical plano-convex lens

● Standard Uncoated Products

f (mm)	x (mm)	y (mm)	r (mm)	t <sub>c</sub> (mm)	t <sub>e</sub> (mm)	f/#	f <sub>b</sub> (mm)	
<b>Precision Fused Silica Rectangular Cylindrical Plano-Convex Lenses</b>								
12.7	12.7	6.4	6.5	3.0	2.2	2.3	10.8	
20.0	12.7	6.4	10.2	3.0	2.5	3.7	18.1	
25.0	25.4	12.7	12.7	5.0	3.3	2.3	21.8	
30.0	40.0	25.4	15.3	11.0	4.2	1.4	23.0	
40.0	25.0	15.0	20.3	5.0	3.6	3.1	36.8	
40.0	40.0	20.0	20.3	6.0	3.4	2.4	36.2	
50.0	40.0	25.4	25.4	9.0	5.6	2.3	44.2	
60.0	40.0	25.4	30.5	7.0	4.2	2.8	55.5	
75.0	40.0	25.4	38.1	5.0	2.8	3.5	71.8	
100.0	40.0	25.4	50.9	5.0	3.4	4.6	96.8	
125.0	40.0	25.4	63.6	5.0	3.7	5.8	121.8	
150.0	40.0	25.4	76.3	5.0	3.9	6.9	146.8	
200.0	30.0	20.0	101.7	5.0	4.5	11.8	196.8	
200.0	40.0	25.4	101.7	5.0	4.2	9.3	196.8	
250.0	30.0	20.0	127.1	5.0	4.6	14.7	246.8	
250.0	40.0	25.4	127.1	5.0	4.4	11.6	246.8	
300.0	40.0	25.4	152.6	5.0	4.5	13.9	296.8	
400.0	40.0	25.4	203.4	5.0	4.6	18.5	396.8	
500.0	40.0	25.4	254.3	5.0	4.7	23.2	496.8	
750.0	40.0	25.4	381.4	5.0	4.8	34.7	746.8	
1000.0	40.0	25.4	508.6	5.0	4.8	46.3	996.8	

**WAVELENGTH OF AR COATING (nm); for uncoated leave blank**

193	266	400	532	700-900	808	1053	1550
248	355	405	633	780	1030	1064	
248-355	355-532	415-700	633-1064	800	1050-1600	1064/532	

## PRECISION N-BK7 SQUARE CYLINDRICAL PLANO-CONVEX LENSES



## Specifications

## Product Code

SCX-C

## Optical Material

N-BK7

## Surface Figure (p-v at 633 nm before coating)

Cylindrical side:  $\lambda$  (y-axis),  $\lambda/cm$  flatness (x-axis)Plano side:  $\lambda/4$  flatness

## Surface Quality

20-10 scratch and dig

## Dimensional Tolerance

 $+0/-0.25$  mm

## Center Thickness

 $t_c \pm 0.25$  mm

## Chamfer

0.35 mm at 45° typical

## Wedge

 $\leq 3$  arc minutes

## Paraxial Focal Length

 $f \pm 0.5\%$  typical

## Antireflection Coating

Wavelength user specified

Narrowband:  $R \leq 0.25\%$  per surfaceBroadband:  $R_{avg} \leq 0.5\%$  per surface

## Clear Aperture (CA)

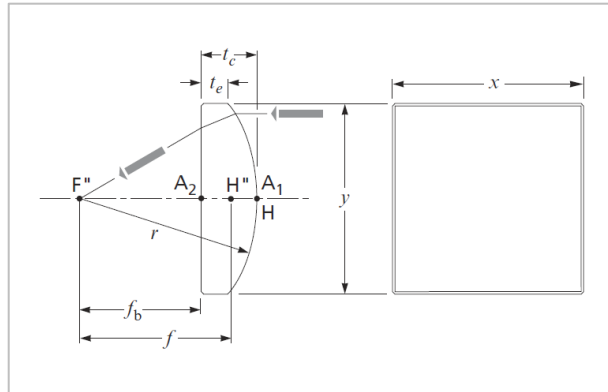
 $\geq 85\%$  of central dimension

## Damage Threshold

10 J/cm<sup>2</sup>, 20 nsec, 20 Hz @ 1064 nm

다른 초점 길이 및 치수도 사용할 수 있습니다. 가격 및 배송에 대한 자세한 사항은 당사에 문의하십시오.

- ◆ 애너모픽 빔 형상 및 레이저 투시
- ◆ 검출기 어레이 조명
- ◆ 저손실, 고에너지 무반사 코팅



Square cylindrical plano-convex lens

● Standard Uncoated Products

f (mm)	x = y (mm)	r (mm)	t <sub>c</sub> (mm)	t <sub>e</sub> (mm)	f/#	f <sub>b</sub> (mm)	
<b>Precision N-BK7 Square Cylindrical Plano-Convex Lenses</b>							
50.0	25.4	25.4	9.0	5.6	2.3	44.1	
60.0	20.0	30.5	5.0	3.3	3.5	56.7	
75.0	20.0	38.1	5.0	3.7	4.4	71.7	
100.0	20.0	50.9	5.0	4.0	5.9	96.7	
100.0	50.8	50.9	10.0	3.2	2.3	93.4	
125.0	25.4	63.6	5.0	3.7	5.8	121.7	
150.0	20.0	76.3	5.0	4.3	8.8	146.7	
150.0	25.4	76.3	5.0	3.9	6.9	146.7	
200.0	25.4	101.7	5.0	4.2	9.3	196.7	
250.0	25.4	127.1	5.0	4.4	11.6	246.7	
300.0	25.4	152.6	5.0	4.5	13.9	296.7	
300.0	50.8	152.6	6.4	4.2	6.9	295.8	
400.0	20.0	203.4	5.0	4.7	23.5	396.7	
500.0	20.0	254.3	5.0	4.8	29.4	496.7	
500.0	50.8	254.3	6.4	5.1	11.6	495.8	
750.0	50.8	381.4	6.4	5.5	17.4	745.8	
2000.0	50.8	1000.0	6.4	6.0	46.3	1995.8	
10000.0	50.8	5000.0	6.4	6.3	231.6	9995.8	

**WAVELENGTH OF AR COATING (nm); for uncoated leave blank**

<b>415-700</b>	<b>633-1064</b>	<b>808</b>	<b>1053</b>	<b>1550</b>
<b>532</b>	<b>780</b>	<b>1030</b>	<b>1064</b>	
<b>633</b>	<b>800</b>	<b>1050-1600</b>	<b>1064/532</b>	



## PRECISION FUSED SILICA SQUARE CYLINDRICAL PLANO-CONVEX LENSES



### Specifications

**Product Code**

SCX-UV

**Optical Material**

UV-grade fused silica

**Surface Figure (p-v at 633 nm before coating)**

Cylindrical side:  $\lambda$  (y-axis),  $\lambda/cm$  flatness (x-axis)

Plano side:  $\lambda/4$  flatness

**Surface Quality**

20-10 scratch and dig

**Dimensional Tolerance**

+0/-0.25 mm

**Center Thickness**

$t_c \pm 0.25$  mm

**Chamfer**

0.35 mm at 45° typical

**Wedge**

$\leq 3$  arc minutes

**Paraxial Focal Length**

$f \pm 0.5\%$  typical

**Antireflection Coating**

Wavelength user specified

Narrowband:  $R \leq 0.25\%$  per surface

Broadband:  $R_{avg} \leq 0.5\%$  per surface

**Clear Aperture (CA)**

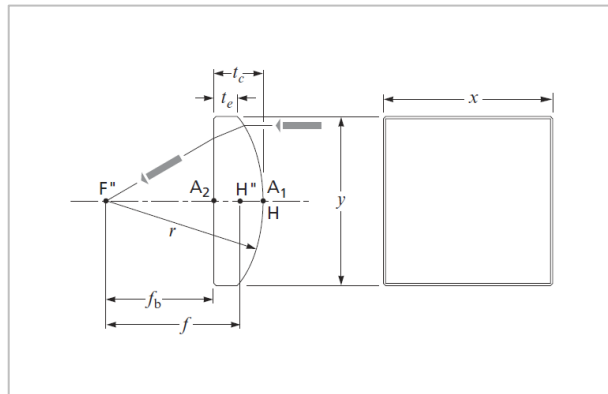
$\geq 85\%$  of central dimension

**Damage Threshold**

10 J/cm<sup>2</sup>, 20 nsec, 20 Hz @ 1064 nm

다른 초점 길이 및 치수도 사용할 수 있습니다. 가격 및 배송에 대한 자세한 사항은 당사에 문의하십시오.

- ◆ UV 레이저 선 초점
- ◆ 애너모픽 빔 형상 및 레이저 투시
- ◆ 검출기 어레이 조명
- ◆ 저손실, 고에너지 무반사 코팅



Square cylindrical plano-convex lens

**WAVELENGTH OF AR COATING (nm); for uncoated leave blank**

193	355-532	633	808	1064/532
248	400	633-1064	1030	1550
248-355	405	700-900	1050-1600	
266	415-700	780	1053	
355	532	800	1064	

● Standard Uncoated Products

f (mm)	x=y (mm)	r (mm)	t <sub>c</sub> (mm)	t <sub>e</sub> (mm)	f/#	f <sub>b</sub> (mm)	
Precision Fused Silica Square Cylindrical Plano-Convex Lenses							
25.0	20.0	12.7	8.0	3.1	1.5	19.9	
40.0	15.0	20.3	5.0	3.6	3.1	36.8	
40.0	25.4	20.3	9.0	4.5	1.9	34.2	
50.0	25.4	25.4	9.0	5.6	2.3	44.2	
50.0	30.0	25.4	9.0	4.1	2.0	44.2	
60.0	25.4	30.5	7.0	4.2	2.8	55.5	
75.0	25.4	38.1	5.0	2.8	3.5	71.8	
75.0	30.0	38.1	7.0	3.9	2.9	70.5	
75.0	50.8	38.1	12.7	3.0	1.7	66.9	
100.0	20.0	50.9	5.0	4.0	5.9	96.8	
100.0	25.4	50.9	5.0	3.4	4.6	96.8	
100.0	50.8	50.9	10.0	3.2	2.3	93.6	
125.0	20.0	63.6	5.0	4.2	7.4	121.8	
125.0	25.4	63.6	5.0	3.7	5.8	121.8	
125.0	50.8	63.6	8.5	3.2	2.9	119.6	
150.0	20.0	76.3	5.0	4.3	8.8	146.8	
150.0	25.4	76.3	5.0	3.9	6.9	146.8	
150.0	50.8	76.3	8.0	3.6	3.5	144.9	
200.0	25.4	101.7	5.0	4.2	9.3	196.8	
200.0	50.8	101.7	6.4	3.1	4.6	195.9	
250.0	20.0	127.1	5.0	4.6	14.7	246.8	
250.0	25.4	127.1	5.0	4.4	11.6	246.8	
250.0	50.8	127.1	6.4	3.8	5.8	245.9	
300.0	25.4	152.6	5.0	4.5	13.9	296.8	
300.0	50.8	152.6	6.4	4.2	6.9	295.9	
400.0	20.0	203.4	5.0	4.7	23.5	396.8	
400.0	50.8	203.4	6.4	4.8	9.3	395.9	
500.0	20.0	254.3	5.0	4.8	29.4	496.8	
500.0	25.4	254.3	5.0	4.7	23.2	496.8	
500.0	50.8	254.3	6.4	5.1	11.6	495.9	
750.0	25.4	381.4	5.0	4.8	34.7	746.8	
750.0	50.8	381.4	6.4	5.5	17.4	745.9	
1000.0	20.0	508.6	5.0	4.9	58.8	996.8	
1000.0	25.4	508.6	5.0	4.8	46.3	996.8	
1000.0	50.8	508.6	6.4	5.7	23.2	995.9	
2000.0	50.8	1000.0	6.4	6.0	46.3	1995.9	
10000.0	50.8	5000.0	6.4	6.3	231.6	9995.9	

## PRECISION N-BK7 ROUND CYLINDRICAL PLANO-CONVEX LENSES



### Specifications

**Product Code**

CLCX-C

**Optical Material**

N-BK7

**Surface Figure (p-v at 633 nm before coating)**

Cylindrical side:  $\lambda$  (y-axis),  $\lambda$ /cm flatness (x-axis)

Plano side:  $\lambda/4$  flatness

**Surface Quality**

20-10 scratch and dig

**Dimensional Tolerance**

+0/-0.25 mm

**Center Thickness**

$t_c \pm 0.25$  mm

**Chamfer**

0.35 mm at 45° typical

**Wedge**

$\leq 3$  arc minutes

**Paraxial Focal Length**

$f \pm 0.5\%$  typical

**Antireflection Coating**

Wavelength user specified

Narrowband:  $R \leq 0.25\%$  per surface

Broadband:  $R_{avg} \leq 0.5\%$  per surface

**Clear Aperture (CA)**

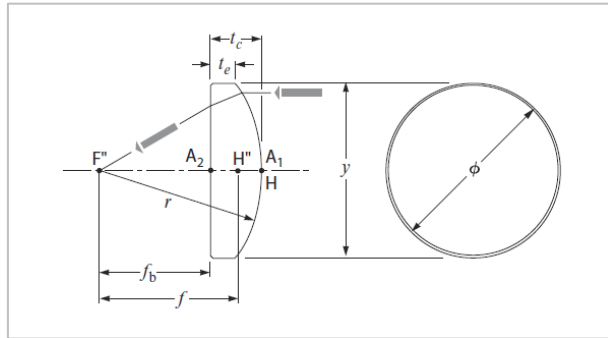
$\geq 85\%$  of central dimension

**Damage Threshold**

10 J/cm<sup>2</sup>, 20 nsec, 20 Hz @ 1064 nm

다른 초점 길이 및 치수도 사용할 수 있습니다. 가격 및 배송에 대한 자세한 사항은 당사에 문의하십시오.

- ◆ 애너모픽 빔 형상 및 레이저 투시
- ◆ 검출기 어레이 조명
- ◆ 저손실, 고에너지 무반사 코팅



Round cylindrical plano-convex lens

**WAVELENGTH OF AR COATING (nm); for uncoated leave blank**

415-700	633-1064	808	1053	1550
532	780	1030	1064	
633	800	1050-1600	1064/532	

● Standard Uncoated Products

f (mm)	φ (mm)	r (mm)	t <sub>c</sub> (mm)	t <sub>e</sub> (mm)	f/#	f <sub>b</sub> (mm)	
<b>Precision N-BK7 Round Cylindrical Plano-Convex Lenses</b>							
20.0	15.0	10.2	6.0	2.7	1.6	16.0	
50.0	25.4	25.4	7.4	4.0	2.3	45.1	
75.0	25.4	38.1	6.2	4.0	3.5	70.9	
100.0	25.4	50.9	5.6	4.0	4.6	96.3	
100.0	30.0	50.9	6.0	3.7	3.9	96.0	
150.0	25.4	76.3	5.1	4.0	6.9	146.6	
150.0	50.8	76.3	8.0	3.6	3.5	144.7	

PRECISION FUSED SILICA ROUND CYLINDRICAL PLANO-CONVEX LENSES

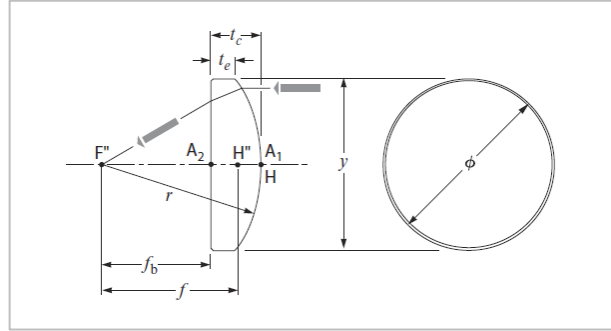


Specifications

- Product Code**  
CLCX-UV
- Optical Material**  
N-BK7
- Surface Figure (p-v at 633 nm before coating)**  
Cylindrical side:  $\lambda$  (y-axis),  $\lambda/cm$  flatness (x-axis)  
Plano side:  $\lambda/4$  flatness
- Surface Quality**  
20-10 scratch and dig
- Dimensional Tolerance**  
 $+0/-0.25$  mm
- Center Thickness**  
 $t_c \pm 0.25$  mm
- Chamfer**  
0.35 mm at 45° typical
- Wedge**  
 $\leq 3$  arc minutes
- Paraxial Focal Length**  
 $f \pm 0.5\%$  typical
- Antireflection Coating**  
Wavelength user specified  
Narrowband:  $R \leq 0.25\%$  per surface  
Broadband:  $R_{avg} \leq 0.5\%$  per surface
- Clear Aperture (CA)**  
 $\geq 85\%$  of central dimension
- Damage Threshold**  
10 J/cm<sup>2</sup>, 20 nsec, 20 Hz @ 1064 nm

다른 초점 길이 및 치수도 사용할 수 있습니다. 가격 및 배송에 대한 자세한 사항은 당사에 문의하십시오.

- ◆ UV 레이저 선 초점
- ◆ 저손실, 고에너지 무반사 코팅



Round cylindrical plano-convex lens

WAVELENGTH OF AR COATING (nm); for uncoated leave blank

193	266	400	633-1064	1030
248	355	415-700	700-900	1053
248-355	355-532	532	800	1064

● Standard Uncoated Products

f (mm)	∅ (mm)	r (mm)	t <sub>c</sub> (mm)	t <sub>e</sub> (mm)	f/#	f <sub>b</sub> (mm)
Precision Fused Silica Round Cylindrical Plano-Convex Lenses						
30.0	25.4	15.3	11.0	4.2	1.4	23.0
50.0	25.4	25.4	7.4	4.0	2.3	45.3
60.0	25.4	30.5	7.0	4.2	2.8	55.5
75.0	25.4	38.1	6.2	4.0	3.5	71.0
100.0	25.4	50.9	5.6	4.0	4.6	96.4
100.0	50.8	50.9	10.0	3.2	2.3	93.6
150.0	25.4	76.3	5.1	4.0	6.9	146.7
150.0	50.8	76.3	8.0	3.6	3.5	144.9

## PRECISION N-BK7 RECTANGULAR CYLINDRICAL PLANO-CONCAVE LENSES



정밀 등급 렌즈는 이전의 표준 LCN 렌즈보다 훨씬 높은 수준의 사양에 따라 제조됩니다. 성능이 중요한 고에너지 분야에 대해 낮은 표면 거칠기와 엄격한 중심화 제어를 갖춘 높은 표면 품질을 제공합니다.

- ◆ 애너모픽 빔 형상 및 레이저 선 생성
- ◆ 슬릿 및 라인 검출기 어레이 조명
- ◆ 저손실, 고에너지 무반사 코팅에 대한 광범위한 선택
- ◆ 사용자 정의 초점 길이 및 치수 사용 가능

### Specifications

**Product Code**

RCC-C

**Optical Material**

N-BK7

**Surface Figure (p-v at 633 nm before coating)**

Cylindrical side:  $\lambda$  (y-axis),  $\lambda$ /cm flatness (x-axis)  
 Plano side:  $\lambda/4$  flatness

**Surface Quality**

20-10 scratch and dig

**Dimensional Tolerance**

+0/-0.25 mm

**Center Thickness**

$t_c \pm 0.25$  mm

**Chamfer**

0.35 mm at 45° typical

**Wedge**

$\leq 3$  arc minutes

**Paraxial Focal Length**

$f \pm 0.5\%$  typical

**Antireflection Coating**

Wavelength user specified

Narrowband:  $R \leq 0.25\%$  per surface

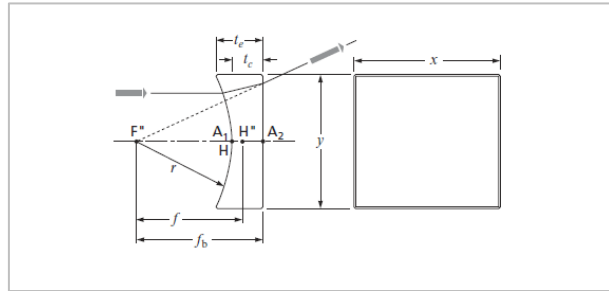
Broadband:  $R_{avg} \leq 0.5\%$  per surface

**Clear Aperture (CA)**

$\geq 85\%$  of central dimension

**Damage Threshold**

10 J/cm<sup>2</sup>, 20 nsec, 20 Hz @ 1064 nm



Precision rectangular cylindrical plano-concave lens

**WAVELENGTH OF AR COATING (nm); for uncoated leave blank**

415-700	633-1064	808	1053	1550
532	780	1030	1064	
633	800	1050-1600	1064/532	

● Standard Uncoated Products

f (mm)	x (mm)	y (mm)	r (mm)	t <sub>c</sub> (mm)	t <sub>e</sub> (mm)	f/#	f <sub>b</sub> (mm)	
<b>Precision N-BN7 Rectangular Cylindrical Plano-Convex Lenses</b>								
-12.7	12.7	6.4	6.5	4.0	4.8	-2.3	-15.3	
-20.0	25.0	15.0	10.2	2.8	6.0	-1.6	-21.8	
-25.0	25.0	15.0	12.7	3.7	6.0	-2.0	-27.4	
-50.0	40.0	25.4	25.4	5.0	8.4	-2.3	-53.3	
-75.0	40.0	25.4	38.1	5.0	7.2	-3.5	-78.3	
-100.0	40.0	25.4	50.9	5.0	6.6	-4.6	-103.3	
-200.0	40.0	25.4	101.7	5.0	5.8	-9.3	-203.3	
-250.0	40.0	25.4	127.1	5.0	5.6	-11.6	-253.3	
-300.0	40.0	25.4	152.6	5.0	5.5	-13.9	-303.3	

WINDOWS & OPTICAL FLATS  
 PRISMS & RETROREFLECTORS  
 SPHERICAL LENSES  
 CYLINDRICAL LENSES  
 MULTIELEMENT LENSES  
 MIRRORS  
 BEAMSPLITTERS  
 WAVEPLATES  
 POLARIZATION COMPONENTS  
 ULTRAFAST COMPONENTS  
 FILTERS & ETALONS

PRECISION FUSED SILICA RECTANGULAR CYLINDRICAL PLANO-CONCAVE LENSES

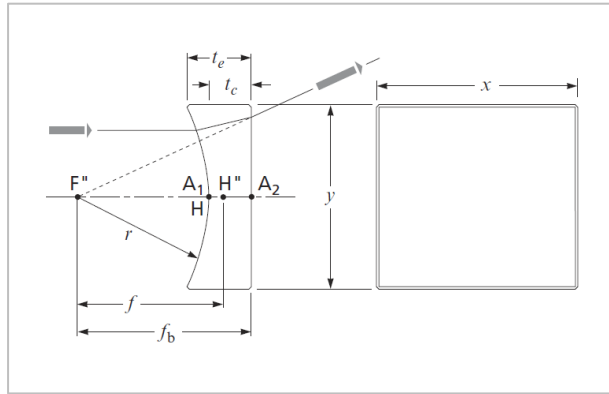


Specifications

- Product Code**  
RCC-UV
- Optical Material**  
UV-grade fused silica
- Surface Figure (p-v at 633 nm before coating)**  
Cylindrical side:  $\lambda$  (y-axis),  $\lambda/cm$  flatness (x-axis)  
Plano side:  $\lambda/4$  flatness
- Surface Quality**  
20-10 scratch and dig
- Dimensional Tolerance**  
 $+0/-0.25$  mm
- Center Thickness**  
 $t_c \pm 0.25$  mm
- Chamfer**  
0.35 mm at  $45^\circ$  typical
- Wedge**  
 $\leq 3$  arc minutes
- Paraxial Focal Length**  
 $f \pm 0.5\%$  typical
- Antireflection Coating**  
Wavelength user specified  
Narrowband:  $R \leq 0.25\%$  per surface  
Broadband:  $R_{avg} \leq 0.5\%$  per surface
- Clear Aperture (CA)**  
 $\geq 85\%$  of central dimension
- Damage Threshold**  
 $10 J/cm^2$ , 20 nsec, 20 Hz @ 1064 nm

다른 초점 길이 및 치수도 사용할 수 있습니다. 가격 및 배송에 대한 자세한 사항은 당사에 문의하십시오.

- ◆ 애너모픽 빔 형상 및 레이저 투시
- ◆ 검출기 어레이 조명
- ◆ 저손실, 고에너지 무반사 코팅



Precision rectangular cylindrical plano-concave lens

● Standard Uncoated Products

f (mm)	x (mm)	y (mm)	r (mm)	t <sub>c</sub> (mm)	t <sub>e</sub> (mm)	f/#	f <sub>b</sub> (mm)	
<b>Precision Fused Silica Rectangular Cylindrical Plano-Concave Lenses</b>								
-10.0	12.7	6.4	5.1	2.0	3.0	-1.8	-11.3	
-12.7	12.7	6.4	6.5	4.0	4.8	-2.3	-15.3	
-20.0	25.0	15.0	10.2	2.8	6.0	-1.6	-21.8	
-25.0	40.0	20.0	12.7	4.2	9.0	-1.5	-27.7	
-30.0	25.0	15.0	15.3	3.1	5.0	-2.4	-32.0	
-40.0	40.0	25.4	20.3	4.6	9.0	-1.9	-42.9	
-50.0	40.0	25.4	25.4	5.0	8.4	-2.3	-53.2	
-75.0	40.0	25.4	38.1	5.0	7.2	-3.5	-78.2	
-100.0	40.0	25.4	50.9	5.0	6.6	-4.6	-103.2	
-200.0	40.0	25.4	101.7	5.0	5.8	-9.3	-203.2	
-250.0	40.0	25.4	127.1	5.0	5.6	-11.6	-253.2	
-300.0	40.0	25.4	152.6	5.0	5.5	-13.9	-303.2	
-400.0	40.0	25.4	203.4	5.0	5.4	-18.5	-403.2	
-500.0	40.0	25.4	254.3	5.0	5.3	-23.2	-503.2	
-1000.0	40.0	25.4	508.6	5.0	5.2	-46.3	-1003.2	

**WAVELENGTH OF AR COATING (nm); for uncoated leave blank**

193	266	400	532	700-900	808	1053	1550
248	355	405	633	780	1030	1064	
248-355	355-532	415-700	633-1064	800	1050-1600	1064/532	

WINDOWS & OPTICAL FLATS

PRISMS & RETROREFLECTORS

SPHERICAL LENSES

CYLINDRICAL LENSES

MULTIELEMENT LENSES

MIRRORS

BEAMSPLITTERS

WAVEPLATES

POLARIZATION COMPONENTS

ULTRAFAST COMPONENTS

FILTERS & ETALONS

PRECISION N-BK7 SQUARE CYLINDRICAL PLANO-CONCAVE LENSES

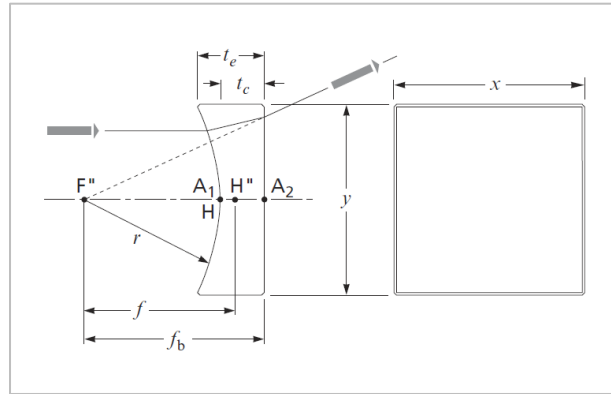


Specifications

- Product Code**  
SCC-C
- Optical Material**  
N-BK7
- Surface Figure (p-v at 633 nm before coating)**  
Cylindrical side:  $\lambda$  (y-axis),  $\lambda/cm$  flatness (x-axis)  
Plano side:  $\lambda/4$  flatness
- Surface Quality**  
20-10 scratch and dig
- Dimensional Tolerance**  
 $+0/-0.25$  mm
- Center Thickness**  
 $t_c \pm 0.25$  mm
- Chamfer**  
0.35 mm at 45° typical
- Wedge**  
 $\leq 3$  arc minutes
- Paraxial Focal Length**  
 $f \pm 0.5\%$  typical
- Antireflection Coating**  
Wavelength user specified  
Narrowband:  $R \leq 0.25\%$  per surface  
Broadband:  $R_{avg} \leq 0.5\%$  per surface
- Clear Aperture (CA)**  
 $\geq 85\%$  of central dimension
- Damage Threshold**  
10 J/cm<sup>2</sup>, 20 nsec, 20 Hz @ 1064 nm

다른 초점 길이 및 치수도 사용할 수 있습니다. 가격 및 배송에 대한 자세한 사항은 당사에 문의하십시오.

- ◆ 애너모픽 빔 형상 및 레이저 투시
- ◆ 검출기 어레이 조명
- ◆ 저손실, 고에너지 무반사 코팅



Precision square cylindrical plano-concave lens

WAVELENGTH OF AR COATING (nm); for uncoated leave blank

415-700	633-1064	808	1053	1550
532	780	1030	1064	
633	800	1050-1600	1064/532	

● Standard Uncoated Products

f (mm)	x = y (mm)	r (mm)	tc (mm)	te (mm)	f/#	fb (mm)
Precision N-BK7 Square Cylindrical Plano-Concave Lenses						
-30.0	20.0	15.3	4.3	8.0	-1.8	-32.8
-60.0	25.4	30.5	4.3	7.0	-2.8	-62.8
-75.0	50.8	38.1	8.0	17.6	-1.7	-80.3
-100.0	50.8	50.9	8.0	14.7	-2.3	-105.3
-250.0	50.8	127.1	6.0	8.5	-5.8	-254.0
-400.0	20.0	203.4	3.8	4.0	-23.5	-402.5
-500.0	20.0	254.3	3.9	4.0	-29.4	-502.6
-500.0	50.8	254.3	6.0	7.3	-11.6	-504.0
-1000.0	20.0	508.6	3.9	4.0	-58.8	-1002.6



## PRECISION FUSED SILICA SQUARE CYLINDRICAL PLANO-CONCAVE LENSES



### Specifications

**Product Code**

SCC-UV

**Optical Material**

UV-grade fused silica

**Surface Figure (p-v at 633 nm before coating)**

Cylindrical side:  $\lambda$  (y-axis),  $\lambda/cm$  flatness (x-axis)

Plano side:  $\lambda/4$  flatness

**Surface Quality**

20-10 scratch and dig

**Dimensional Tolerance**

0/-0.25 mm

**Center Thickness**

$t_c \pm 0.25$  mm

**Chamfer**

0.35 mm at 45° typical

**Wedge**

$\leq 3$  arc minutes

**Paraxial Focal Length**

$f \pm 0.5\%$  typical

**Antireflection Coating**

Wavelength user specified

Narrowband:  $R \leq 0.25\%$  per surface

Broadband:  $R_{avg} \leq 0.5\%$  per surface

**Clear Aperture (CA)**

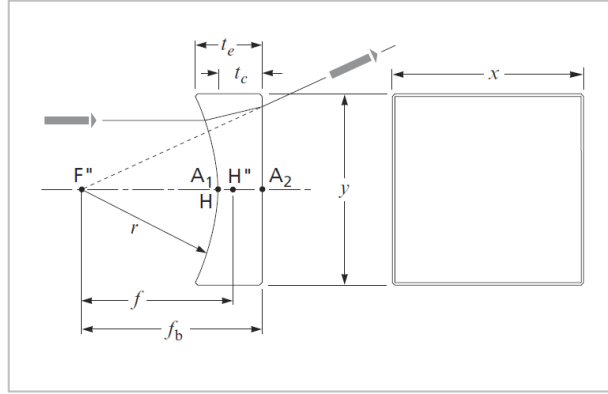
$\geq 85\%$  of central dimension

**Damage Threshold**

10 J/cm<sup>2</sup>, 20 nsec, 20 Hz @ 1064 nm

다른 초점 길이 및 치수도 사용할 수 있습니다. 가격 및 배송에 대한 자세한 사항은 당사에 문의하십시오.

- ◆ 애너모픽 빔 형상 및 레이저 투시
- ◆ 검출기 어레이 조명
- ◆ 저손실, 고에너지 무반사 코팅



Precision square cylindrical plano-concave lens

● Standard Uncoated Products

f (mm)	x=y (mm)	r (mm)	t <sub>c</sub> (mm)	t <sub>e</sub> (mm)	f/#	f <sub>b</sub> (mm)	
<b>Precision Fused Silica Square Cylindrical Plano-Concave Lenses</b>							
-20.0	15.0	10.2	2.8	6.0	-1.6	-21.9	
-25.0	12.7	12.7	3.7	5.4	-2.3	-27.5	
-40.0	25.4	20.3	4.6	9.0	-1.9	-42.9	
-50.0	25.4	25.4	5.0	8.4	-2.3	-53.2	
-60.0	25.4	30.5	4.3	7.0	-2.8	-62.8	
-75.0	25.4	38.1	5.0	7.2	-3.5	-78.2	
-100.0	25.4	50.9	5.0	6.6	-4.6	-103.2	
-100.0	50.8	50.9	8.0	14.7	-2.3	-105.1	
-125.0	25.4	63.6	5.0	6.3	-5.8	-128.2	
-150.0	20.0	76.3	3.4	4.0	-8.8	-152.2	
-200.0	25.4	101.7	5.0	5.8	-9.3	-203.2	
-250.0	25.4	127.1	5.0	5.6	-11.6	-253.2	
-300.0	25.4	152.6	5.0	5.5	-13.9	-303.2	
-500.0	25.4	254.3	5.0	5.3	-23.2	-503.2	
-500.0	50.8	254.3	6.0	7.3	-11.6	-503.8	
-750.0	25.4	381.4	5.0	5.2	-34.7	-753.2	
-750.0	50.8	381.4	6.0	6.8	-17.4	-753.8	
-1000.0	25.4	508.6	5.0	5.2	-46.3	-1003.2	
-1000.0	50.8	508.6	6.0	6.6	-23.2	-1003.8	
-2000.0	50.8	1000.0	6.0	6.3	-46.3	-2003.8	
-10000.0	50.8	5000.0	6.0	6.1	-231.6	-10003.8	

WAVELENGTH OF AR COATING (nm); for uncoated leave blank

193	266	400	532	700-900	808	1053	1550
248	355	405	633	780	1030	1064	
248-355	355-532	451-700	633-1064	800	1050-1600	1064/532	

## PRECISION N-BK7 ROUND CYLINDRICAL PLANO-CONCAVE LENSES



### Specifications

**Product Code**

CLCC-C

**Optical Material**

N-BK7

**Surface Figure (p-v at 633 nm before coating)**

Cylindrical side:  $\lambda$  (y-axis),  $\lambda/cm$  flatness (x-axis)

Plano side:  $\lambda/4$  flatness

**Surface Quality**

20-10 scratch and dig

**Dimensional Tolerance**

+0/-0.25 mm

**Center Thickness**

$t_c \pm 0.25$  mm

**Chamfer**

0.35 mm at 45° typical

**Wedge**

$\leq 3$  arc minutes

**Paraxial Focal Length**

$f \pm 0.5\%$  typical

**Antireflection Coating**

Wavelength user specified

Narrowband:  $R \leq 0.25\%$  per surface

Broadband:  $R_{avg} \leq 0.5\%$  per surface

**Clear Aperture (CA)**

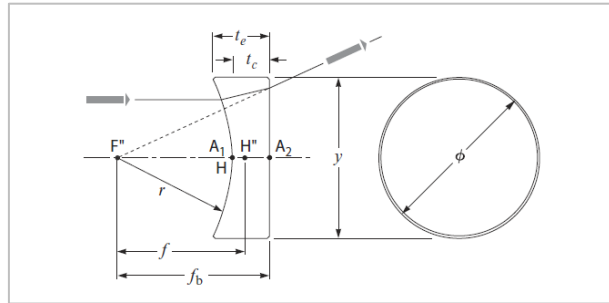
$\geq 85\%$  of central dimension

**Damage Threshold**

10 J/cm<sup>2</sup>, 20 nsec, 20 Hz @ 1064 nm

다른 초점 길이 및 치수도 사용할 수 있습니다. 가격 및 배송에 대한 자세한 사항은 당사에 문의하십시오.

- ◆ 애너모픽 빔 형상 및 레이저 투시
- ◆ 검출기 어레이 조명
- ◆ 저손실, 고에너지 무반사 코팅



Precision round cylindrical plano-concave lens

**WAVELENGTH OF AR COATING (nm); for uncoated leave blank**

415-700	633-1064	808	1053	1550
532	780	1030	1064	
633	800	1050-1600	1064/532	

● Standard Uncoated Products

f (mm)	Ø (mm)	r (mm)	t <sub>c</sub> (mm)	t <sub>e</sub> (mm)	f/#	f <sub>b</sub> (mm)	
<b>Precision N-BK7 Rectangular Cylindrical Plano-Convex Lenses</b>							
-20.0	15.0	10.2	2.8	6.0	-1.6	-21.8	
-30.0	20.0	15.3	4.3	8.0	-1.8	-32.8	
-40.0	25.4	20.3	4.6	9.0	-1.9	-43.0	
-50.0	25.4	25.4	5.0	8.4	-2.3	-53.3	

PRECISION FUSED SILICA ROUND CYLINDRICAL PLANO-CONCAVE LENSES

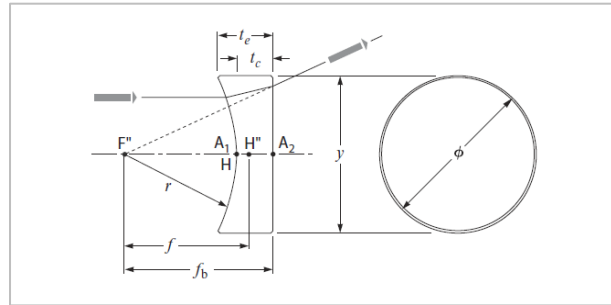


Specifications

- Product Code**  
CLCC-UV
- Optical Material**  
UV-grade fused silica
- Surface Figure (p-v at 633 nm before coating)**  
Cylindrical side:  $\lambda$  (y-axis),  $\lambda/cm$  flatness (x-axis)  
Plano side:  $\lambda/4$  flatness
- Surface Quality**  
20-10 scratch and dig
- Dimensional Tolerance**  
 $+0/-0.25$  mm
- Center Thickness**  
 $t_c \pm 0.25$  mm
- Chamfer**  
0.35 mm at 45° typical
- Wedge**  
 $\leq 3$  arc minutes
- Paraxial Focal Length**  
 $f \pm 0.5\%$  typical
- Antireflection Coating**  
Wavelength user specified  
Narrowband:  $R \leq 0.25\%$  per surface  
Broadband:  $R_{avg} \leq 0.5\%$  per surface
- Clear Aperture (CA)**  
 $\geq 85\%$  of central dimension
- Damage Threshold**  
10 J/cm<sup>2</sup>, 20 nsec, 20 Hz @ 1064 nm

다른 초점 길이 및 치수도 사용할 수 있습니다. 가격 및 배송에 대한 자세한 사항은 당사에 문의하십시오.

- ◆ 애너모픽 빔 형상 및 레이저 투시
- ◆ 검출기 어레이 조명
- ◆ 저손실, 고에너지 무반사 코팅



Precision round cylindrical plano-concave lens

WAVELENGTH OF AR COATING (nm); for uncoated leave blank

193	266	400	633-1064	1030
248	355	415-700	700-900	1053
248-355	355-532	532	800	1064

● Standard Uncoated Products

f (mm)	Ø (mm)	r (mm)	tc (mm)	te (mm)	f/#	fb (mm)
Precision Fused Silica Round Cylindrical Plano-Concave Lenses						
-25.0	20.0	12.7	4.2	9.1	-1.5	-27.7
-40.0	25.4	20.3	4.6	9.1	-1.9	-43.1
-50.0	25.4	25.4	5.0	8.4	-2.3	-53.2
-75.0	25.4	38.1	5.0	7.2	-3.5	-78.2
-150.0	25.4	76.3	5.0	6.1	-6.9	-153.2